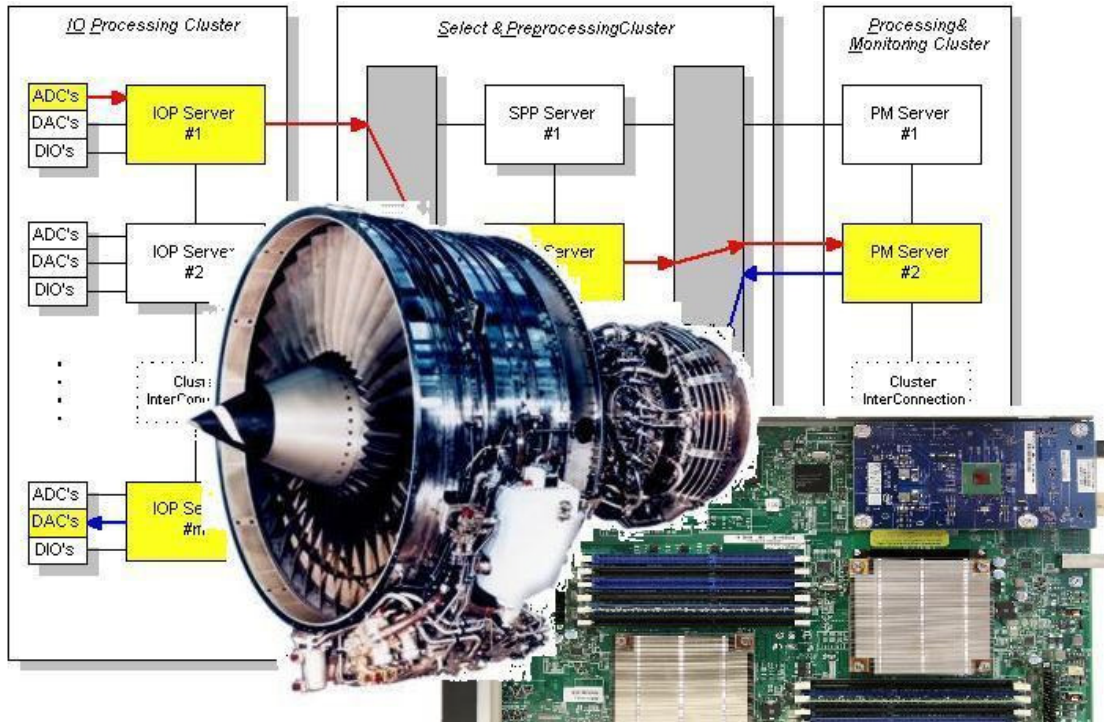


C5000

High Performance Cluster IO Processing System



CHARACTERISTICS

- Practically unlimited scalable I/O bandwidth
- Practically unlimited scalable processing performance also for parallel tasks
- Practically unlimited scalable storage bandwidth and performance
- Configured with commercial off the shelf (COTS) products provides for state of the art systems

APPLICATIONS

- Jet Engine Test Beds
- Wind Tunnels
- Satellite Ground Stations
- R & D Institutes
- Military (SIGINT)

C5000 is a Cluster IO Processing System for High Performance Acquisition and Output, Processing and Control, Monitoring and Storage of wide band width data.

C5000 Concept

Figure 1 shows the C5000 three stage cluster architecture with IO-Processing, Select & Pre-processing, Processing & Monitoring.

Furthermore the two switch matrixes with the Select & Pre-processing Cluster are shown. Due to multistage cluster concept signals with different sources and bandwidths can be acquired individually in parallel while simultaneously processed, stored, monitored and transferred to other systems via standard networks.

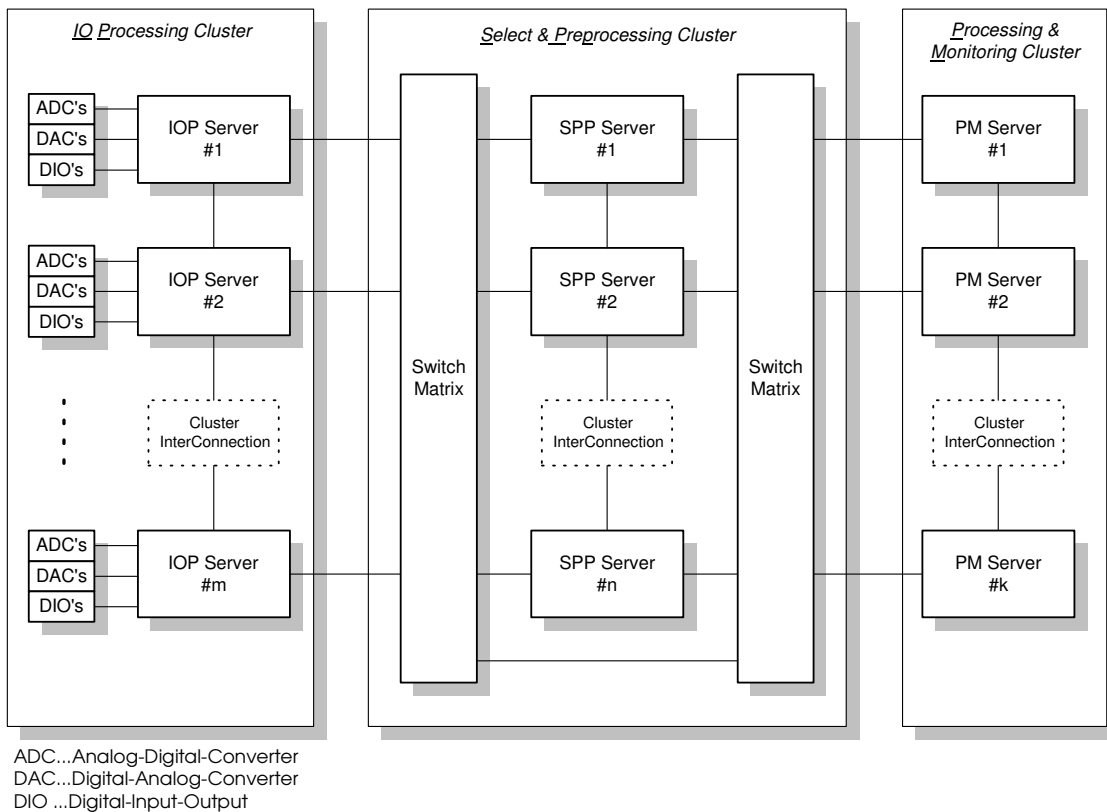


Figure 1: C5000 Basic Concept

TECHNICAL SPECIFICATIONS

Configuration

Cluster	Multiple Server System Option: Graphics Processing Unit (GPU) co-processing for very high processing performance
Switch Matrix	PCI Express links
Process Interfaces	PCI Express interface boards. <ul style="list-style-type: none"> ▪ Analog Digital Converter ▪ Digital Analog Converter ▪ Digital Input/Output

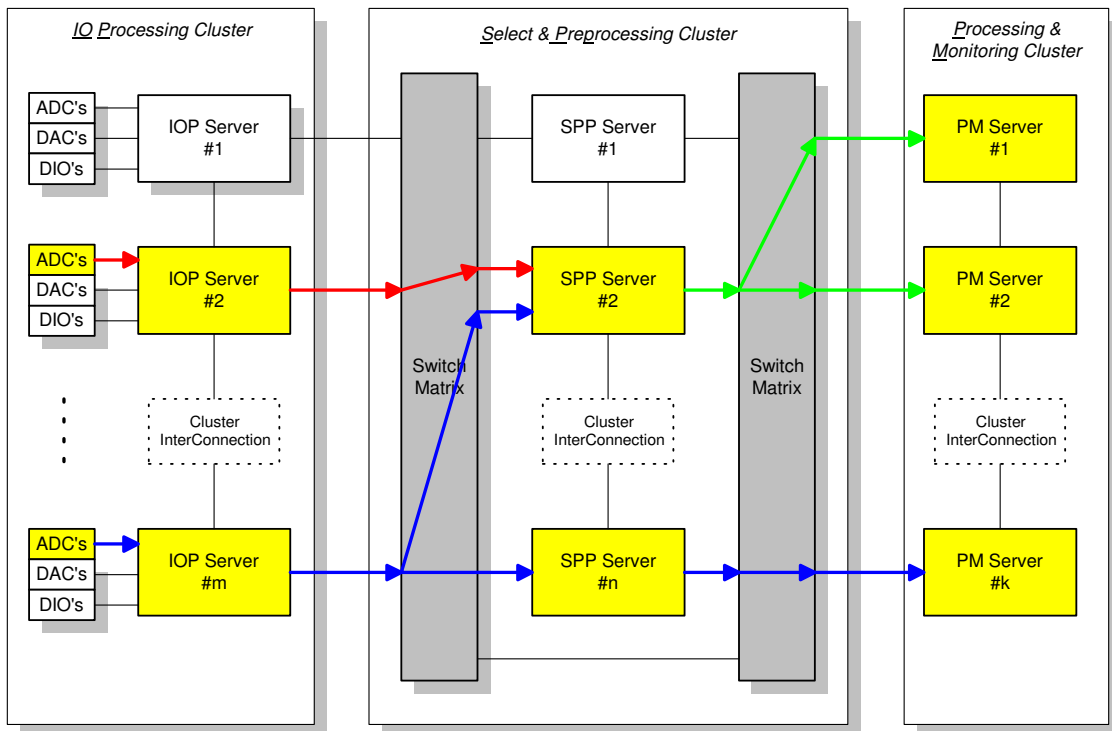
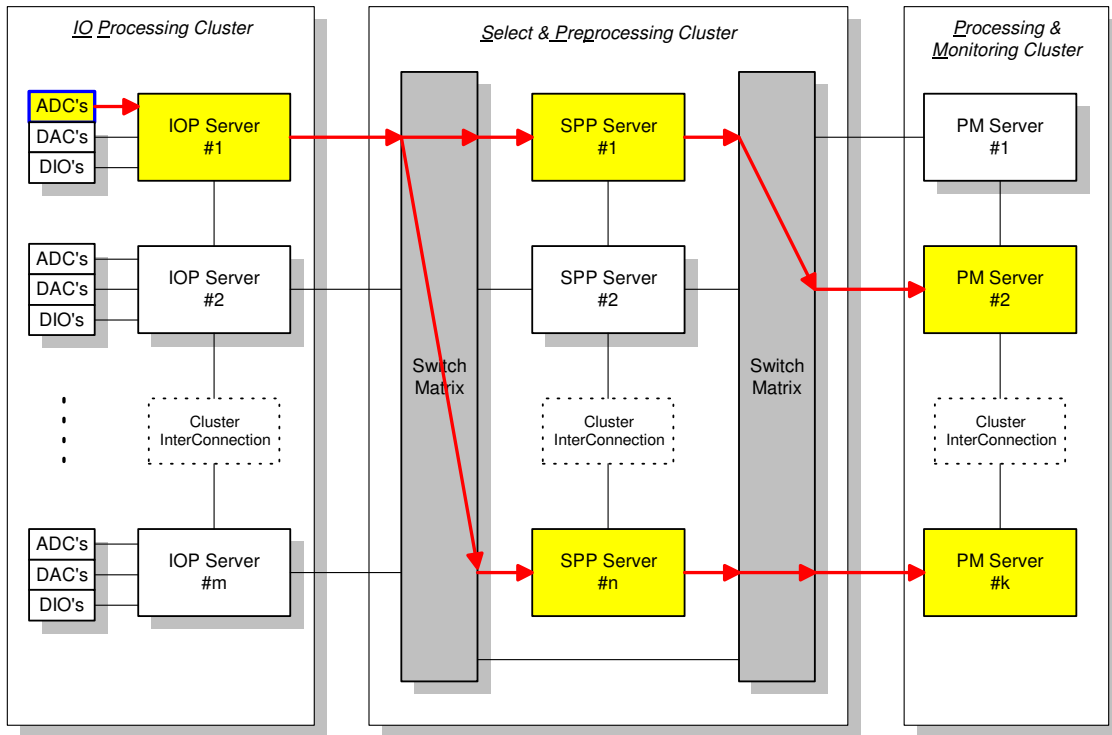
Software

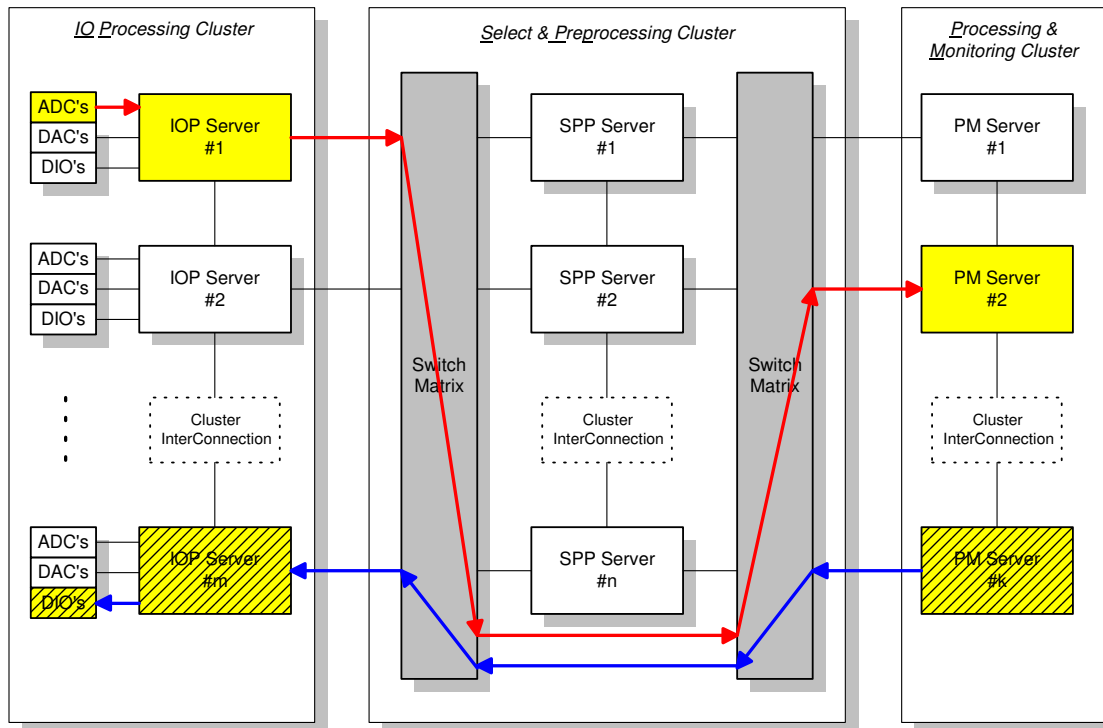
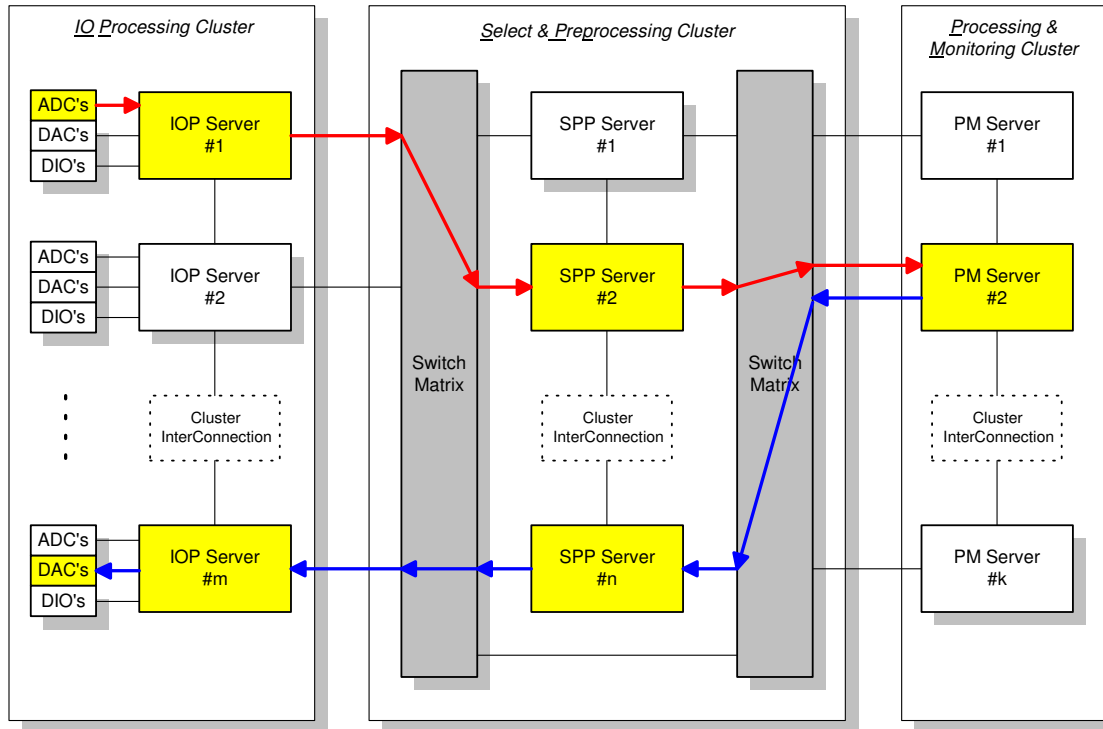
Drivers with debugger for Windows, Linux or Unix

Mechanical

19 inch housing units

The following figures show some principal possibilities with the corresponding signal flows.





Specifications are subject to change without notice